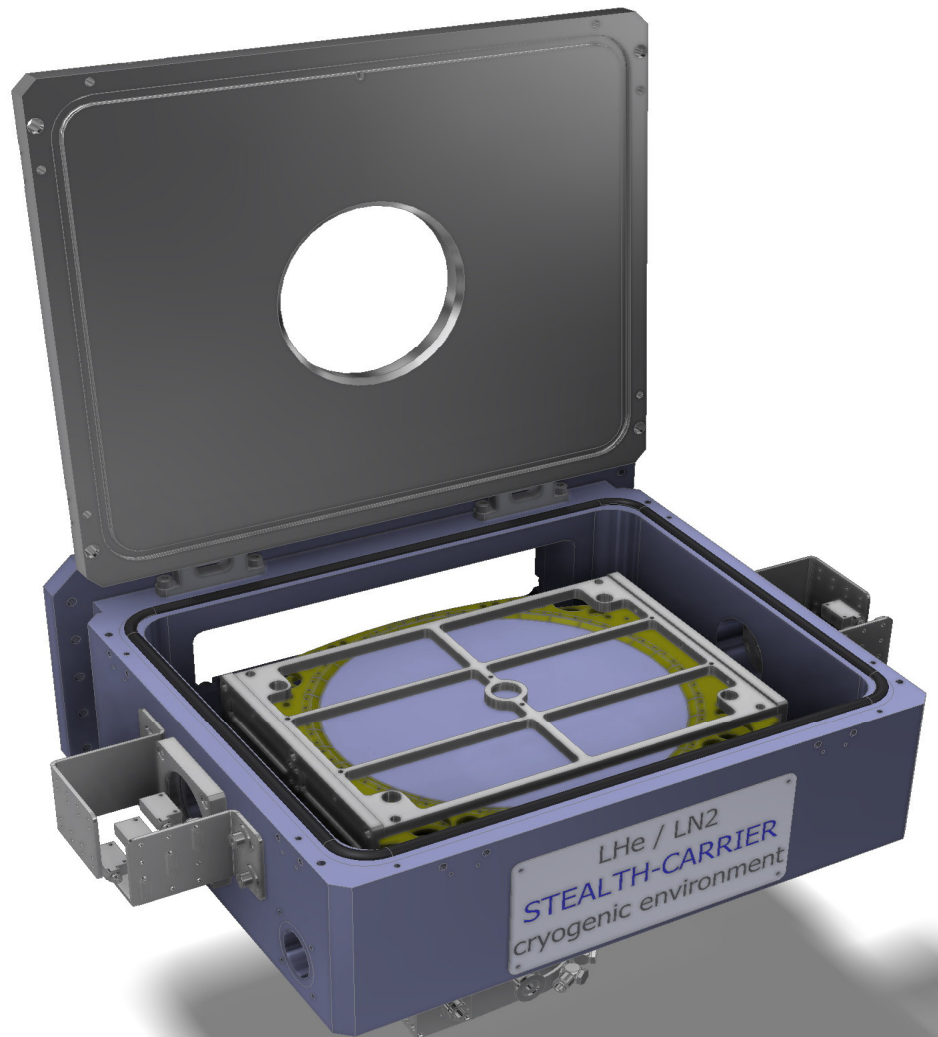


STEALTH.CARRIER

thermally almost invisible carrier
for cryogenic environment



ADVANTAGES:

- ✓ **THERMAL INVISIBILITY**
ideally suited for LHe/LN2—environments
- ✓ **MINIMUM THERMAL MASS**
fast heating/cooling
- ✓ **CONTACT SURFACES FOR TEMPERATURE CONTROL**
heating and cooling to shielding temperature
- ✓ **SUBSTRATES**
wafer 50...450mm, pieces, devices, ...
- ✓ **MAGAZINES**
customized magazines for load lock modules

STEALTH.CARRIER

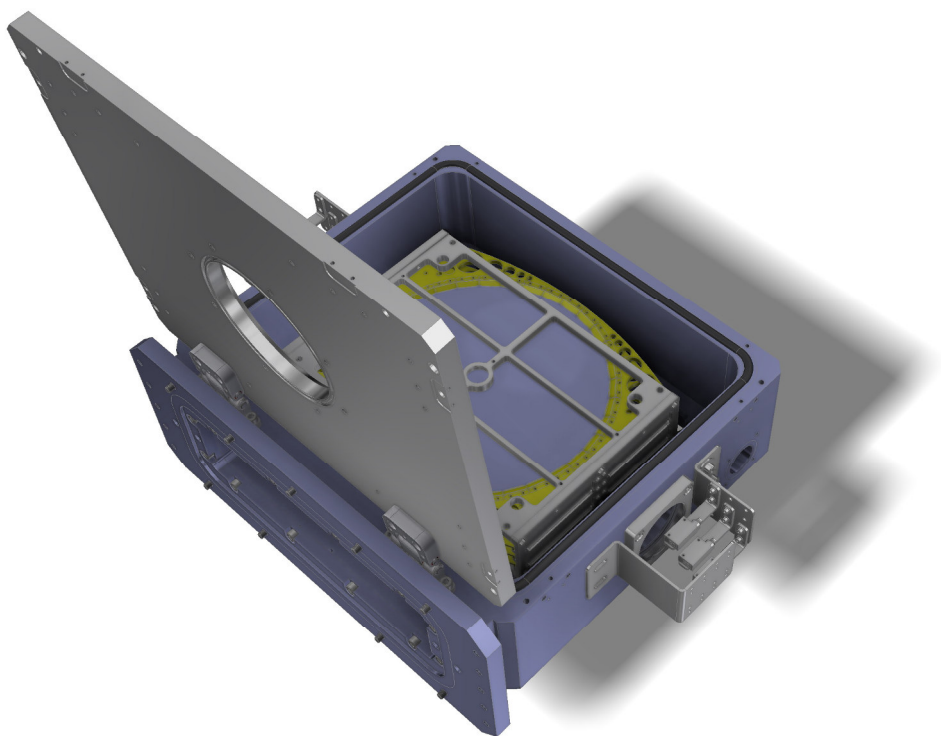
thermally almost invisible carrier
for cryogenic environment

Adenso
solutions you need

The invisible cryogenic Adenso.Solution

The special carriers are thermally almost invisible and therefore particularly suitable for environments with liquid gases such as helium up to 4.2K.

For all types of substrates: wafers 300/200/150/100/50mm, glass, ceramic, saphir substrates, devices, single chips, ...



Advantages

- ✓ fastest cooldown and heat up
- ✓ higher productivity because of fast cryo cycles
- ✓ substrate can not see the carrier—means minimum process influencing
- ✓ minimal thermal mass means minimum energy loss
- ✓ optimized costs
- ✓ greater flexibility
- ✓ progressive products

Discover new possibilities to build up new business segments!

www.waferhandling.solutions

SPECIFICATION

SUBSTRATE TYPES

- WAFER 50 ... 450mm
- pieces
- single chips
- devices
- ...

PAYLOAD

Standard: up to 1kg

Adenso GmbH
Zur Wetterwarte 27
01109 Dresden
Germany

Fon: +49 351-79 59 79 7-0
Fax: +49 351-79 59 79 7-70

info@adenso.de
www.waferhandling.solutions

Revision No.: 00