

Your business

Research > Production

- ✓ Semiconductor:
Wafer, Masks, Carrier
- ✓ Nano- & Biotechnology:
sample holder
- ✓ Materials research
- ✓ Surface analysis
- ✓ Device testing
- ✓ Optics
- ✓ Photovoltaic: solar cells

Your benefits

- ✓ Newest technologies
are build in
- ✓ Compact and stable design
- ✓ Low initial costs
- ✓ User-friendly
- ✓ Various configuration options
- ✓ High reliability
- ✓ High productivity
- ✓ Applicable at once
- ✓ Ergonomic design
- ✓ Assistance by integration into

MLL300 Manual Load Lock

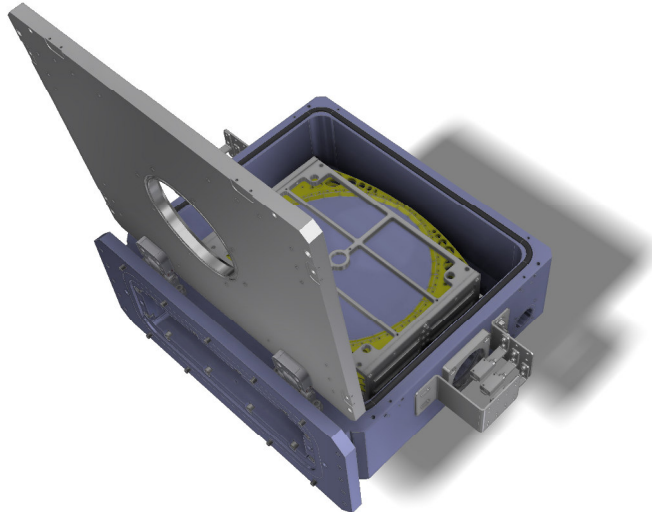
Specification

MLL300 Layout [3X]-TYPE

Dimensions
Example for [3X] pcs. of
carriers:

Carrier D300
W x H x D =
560mm x 330mm x 500mm

(depends on
customized configuration).



Standard version

- ✓ Robust construction
- ✓ Compact design
- ✓ Easy access

Options

- ✓ Special carrier solutions :
 - STEALTH.CARRIER
 - heating/cooling
 - shielding
- ✓ Different cassette types available
- ✓ Mapping
- ✓ Integrated valve to handler chamber

Specification	standard	options
Temperature	+20 ... +50°C	-60 ... +250°C
Vacuum / leakage rate	5x10 ⁻⁶ mbar x l/s	5x10 ⁻⁷ mbar x l/s
Substrates	Wafer, Wafer parts, single chips	
Substrate material	Ceramic, Silicon, Glass, ...	
Diameter	...300 mm	...450 mm
Thickness	0,5...1,0 mm	0,05 ... 2,0mm
Payload	2,5 kg	> 10 kg
Carrier	Clamping ring	Flex clamping solution
Carrier material	Aluminum, Stainless steel, Copper, Brass	Ceramic, Sapphire, Glass, ...
Cassette options	—	Mapping
Number of substrates / cassette	3 pcs. for 5mm high	... 20 pcs.

The **MLL300 Manual Load Lock** is a customized designed carrier stocker system for research and production use.

Based on the substrate magazine the **MLL300 Manual Load Lock** allows continuous substrate handling for continuous processing.

Cluster systems, equipped with **MLL300 Manual Load Lock** allow fully automated load and unload of a large number of substrates.

MLL300 is particularly suitable for the manual insertion / removal of samples.

Let us now together start to lower your production costs and maximize the return of your assets: Adenso — solutions you need —

... our strategy

It is our strategic goal to create customer benefits by implementing innovative solutions.

Our offer:

Let's talk personally about your requirements and what we can do for you.

Adenso GmbH
Zur Wetterwarte 27
01109 Dresden
Germany

Fon: +49 351-79 59 79 7-0
Fax: +49 351-79 59 79 7-70

info@adenso.de

www.adenso.de