

Your business

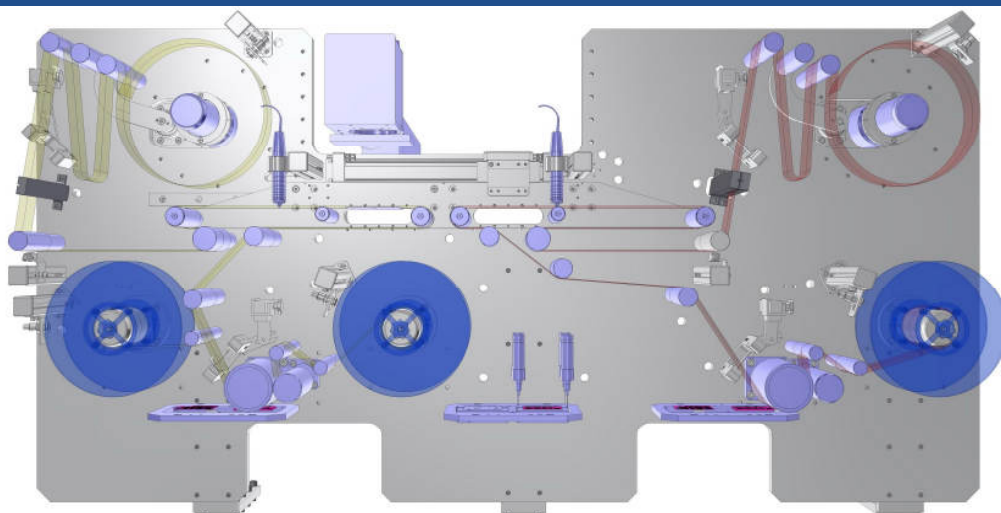
- ✓ Pharmacy:
Medical diagnostics
- ✓ Electronics:
Flexible /Printed electronics
- ✓ Photovoltaic:
Flexible solar cells
- ✓ Display:
Touch screens
- ✓ Illumination:
Light emitting devices
- ✓ Energy storage:
Battery technologies
- ✓ Nano- & Biotechnology:
Research

Your benefits

- ✓ Newest processing and winding technologies are build in
- ✓ Compact and stable design
- ✓ Flexible process arrangement
- ✓ Various configuration options
- ✓ Fast process changes
- ✓ High productivity
- ✓ User-friendly
- ✓ High reliability
- ✓ Safety operating
- ✓ Ergonomic design
- ✓ Ready for future challenges

WPS 100 Web Processing System

Specification iFlex Change



WPS 100 - iFlex Change
winding system for alternating web processing

Standard version

- ✓ Precision guides
- ✓ Dynamic drives
- ✓ Sinusoidal movement profiles
- ✓ Robust construction
- ✓ Compact design

Options

- ✓ Different pre-treatment processes are available
- ✓ In-situ measurement technologies
- ✓ Customized substrate characterization equipment

Specification	standard	options
Temperature	-60°C...+180°C	...250°C
Substrates	2 substrates / alternating	
Speed	0,5...20 m/min	...10 m/sec
Tension	100 N...1000 N	30 N...
Substrate	PI, PET, PVC, PA, PE, PP, ... , paper, fibrous web, flex glass	
Width	10 ... 100 mm	>1000 mm
Thickness	0,01 ... 0,1 mm	0,005 mm...
Coil diameter	...300mm	>300mm
Processes	1 pc.	...6 pcs.
Pre-Treatment	—	heating, cleaning
Substrate thickness control	—	on request
Housing	—	on request
Measurement equipment	—	different systems available on request

The **Web Processing System WPS 100 — iFlex Change** is a customized designed lab and production plant for handling and processing flexible substrates. Based on an roll-to-roll system the **WPS 100** allows continuous web processing.

The **main advantage** of the **iFlex Change** concept is the possibility of using only ONE processing unit alternating for TWO different substrates— this helps to significant save the investment costs.

For example—use ONE laser station for processing of TWO substrates save footprint and mainly the costs for the laser system.

Let's start now to lower your production costs and maximize the return of your assets: *Adenso — solutions you need —*

... our strategy

It is our strategic goal to create customer benefits by implementing innovative solutions.

Our offer:

Let's talk personally about your requirements and what we can do for you.

Adenso GmbH
Zur Wetterwarte 27
01109 Dresden
Germany

Fon: +49 351-79 59 79 7-0
Fax: +49 351-79 59 79 7-70

info@adenso.de

www.adenso.de